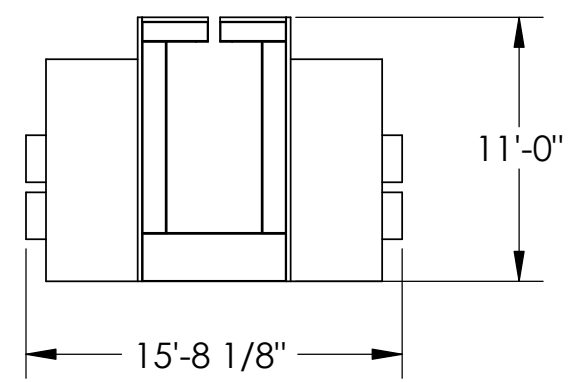
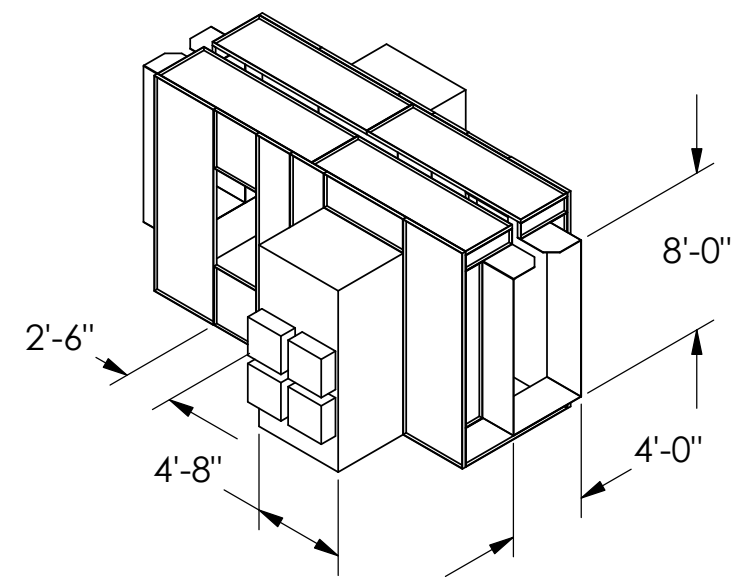
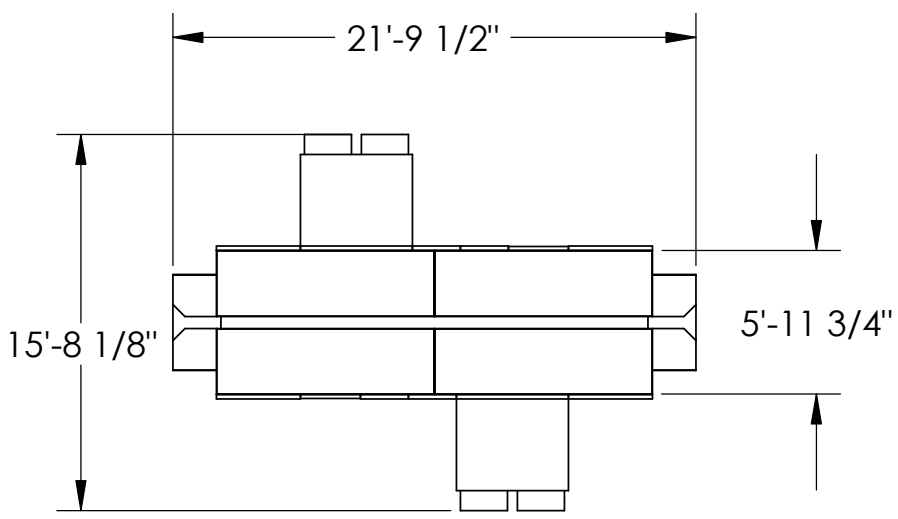


8 7 6 5 4 3 2 1

D
C
B
A



Model MIB-8000
 Product Opening: 48"W x 96"H
 Two Manual Openings: 30"W x 36"H
 Booth Length: 21' - 9.5"
 Cabin Length: 17' - 9.5"
 Booth Width: 15' - 8"
 Cabin Width: 5' - 11.75"
 Booth Height: 11' - 0"
 Clear/ Polycarbonate Upper Structure
 Containment Air 8,000 CFM
 2-13.5" Non Sparking Fans 7.5 HP
 7.5 HP Motor
 480 /240 Volt/3 Phase/60 Cycle/ 20AMP /30AMP
 Compressed Air: 6 CFM @ 90 PSIG
 Recommend Supply Air Dryer Sized for [35] CFM

PROPRIETARY AND CONFIDENTIAL
 THE INFORMATION CONTAINED IN THIS DRAWING IS THE SOLE PROPERTY OF VISION POWDER BOOTHS. ANY REPRODUCTION IN PART OR AS A WHOLE WITHOUT THE WRITTEN PERMISSION OF VISION POWDER BOOTHS IS PROHIBITED.

		UNLESS OTHERWISE SPECIFIED:		NAME	DATE	VISION POWDER BOOTHS	
		DIMENSIONS ARE IN INCHES		DRAWN	JEC		
		TOLERANCES:		CHECKED	JB	TITLE: VENDO	
		FRACTIONAL ±		ENG APPR.	JEC		
		ANGULAR: MACH ± BEND ±		MFG APPR.	JEC	SIZE B	
		TWO PLACE DECIMAL ±		Q.A.			
		THREE PLACE DECIMAL ±		COMMENTS:		REV 2	
		INTERPRET GEOMETRIC TOLERANCING PER:					
		MATERIAL				SHEET 1 OF 1	
		Polycarbonate					
		FINISH					
		White					
NEXT ASSY	USED ON	DO NOT SCALE DRAWING					
APPLICATION							

8 7 6 5 4 3 2 1